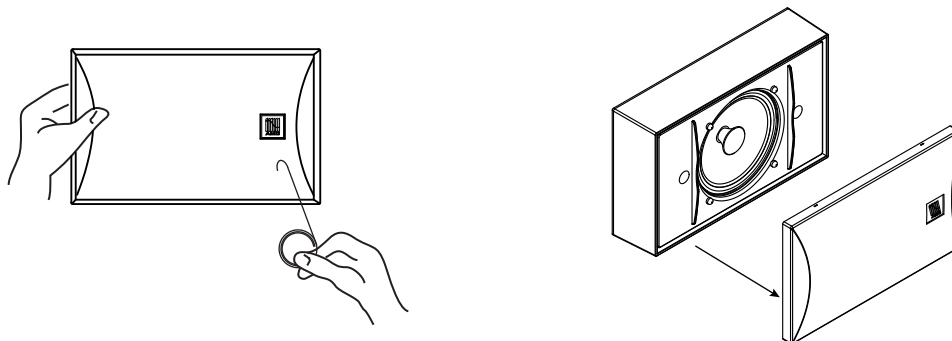
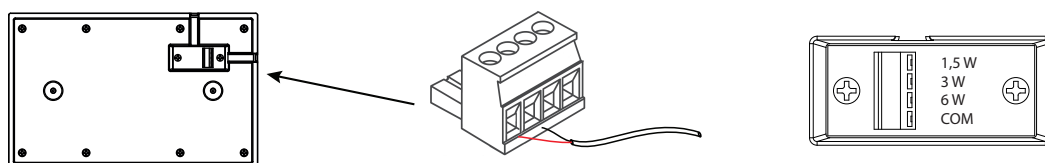


## INSTALLATION MANUAL

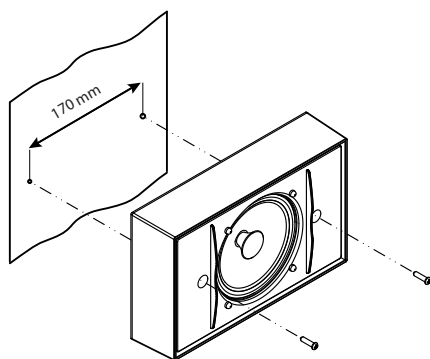
- ① Take a special tool from iSpeak 5 package and gently remove front grill.



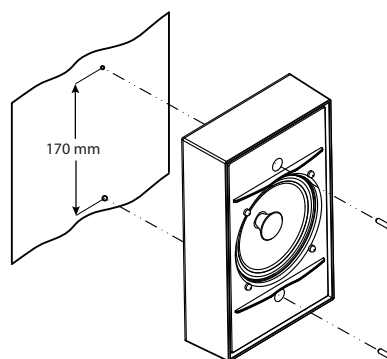
- ② Connect audio cable to the Phoenix connector located on the rear panel. Power taps are marked near the connector.



- ③ Fix the loudspeaker on the wall vertically or horizontally.  
(Distance between the mounting points - 170 mm)



Horizontally



Vertically

- ④ Mount the grill on the loudspeaker and set correct AMC logo direction.

